



CROWN
MACHINERY

2017 CATALOGUE

F i l t e r i n g C e n t r i f u g e S e r i e s



Crown Machinery Enterprise Introduction

Crown Machinery Inc. is a modern innovative high-tech centrifuge R&D and manufacture enterprise with four main branches in global work located in USA , South Korea, Philippine and China. Adhering to the concept of quality is the enterprise life, innovation is the driving force for the development, Conform to the trend of the development of modern industry , Fusion concept of global economic integration, Creative thinking, Integrate liquid separation processing industry leading enterprise in the upstream and downstream resources; Gather technical force; Together with the power of the global enterprise for business purposes; Dedicated to supply the clients complete separation solution.

Our company assemble a number of skillful, talented professionals, introduction advanced of international centrifuge technology with 30 years experiences of the development and design, through adopting international advanced management method, we have developed very professional separator and centrifuge for edible oil , pharmaceutical , chemical , waste project and various liquid industry. Until now we have accumulated more than 500 clients in global world market and get wide good feedback for our products and service, as our enterprise name "Crown Machinery" described we would like to supply the products like the crown quality and service.

Nowadays, our USA branch mainly forwards the wastewater market; Manila branch mainly prompts the coconut products machinery in Asia-Pacific market; Our Korean branch also named the Hanil Science Medical Co.,Ltd. is focusing on the Bio-tech and Bio-pharmaceutical market; And Liaoyang Crown Machinery Co.,Ltd. in China works as the head-quarter of four branches to serve the machinery selection, sale, technology support and after-service job.

Up to now, we have successfully introduced many clients' final products such as coconut oil into Chinese market to achieve a mutually beneficial win-win situation. We do hope serving the client not only the products but also the wonderful experience to cooperate with us.

Welcome to contact and visit us.





Sedimentation & Filter Centrifuge

Sedimentation & Filter series centrifuge is used to separate solid from liquid in various industries. It works on the principle of centrifugal force. Due to high rotation speed of bowl, liquid flows through drainage pipe and keeps the solid inside the bowl. It is widely used in Pharmaceutical, Chemical, Dairy Industry, Textile Industry, Printing and Dyeing Industry and more.

The advantages of Sedimentation & Filter Centrifuge:

- Large capacity
- Low cost
- Stable running performance
- High separation efficiency

Sedimentation & Filter series centrifuge are available in horizontal model, vertical model, top discharge, bottom discharge, direct connected motor model and etc.

CHINA

No.13093-06-02 Victory Community
Baita District Liaoyang
China

PHILIPPINES

Suite 310 Intramuros Corporate Plaza
Recoletos St., Intramuros Manila
Philippines

USA

6900 46th Street Kenosha
WI 53144

KOREA

5-4, Songnim-Ro 48beon-Gil
Yuseong-Gu, Daejeon
Korea



sales@crowm-machinery.com



+86 186 4192 8887



China +86 419 2883215
Philippines +63 2 2549729
USA +1 262 656 7680
Korea +82 42 825 4260



+86 419 2122006



TYPICAL APPLICATIONS

BEVERAGE / BREWING INDUSTRY

- Fruit and vegetable juices
- Wine or Beer dewatering

CHINESE TRADITIONAL MEDICINE

- Raw Material washing
- Effective ingredient extraction

TEXTILE

- Wool degrease
- Textile dewatering

Food

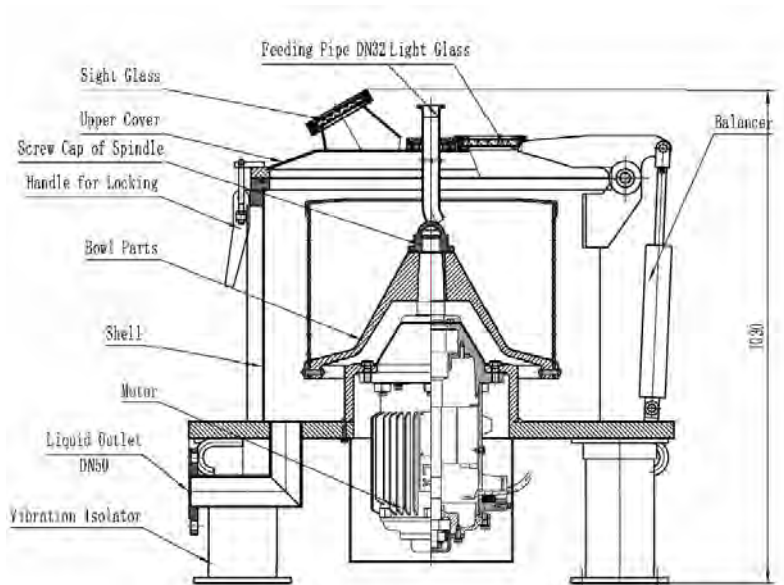
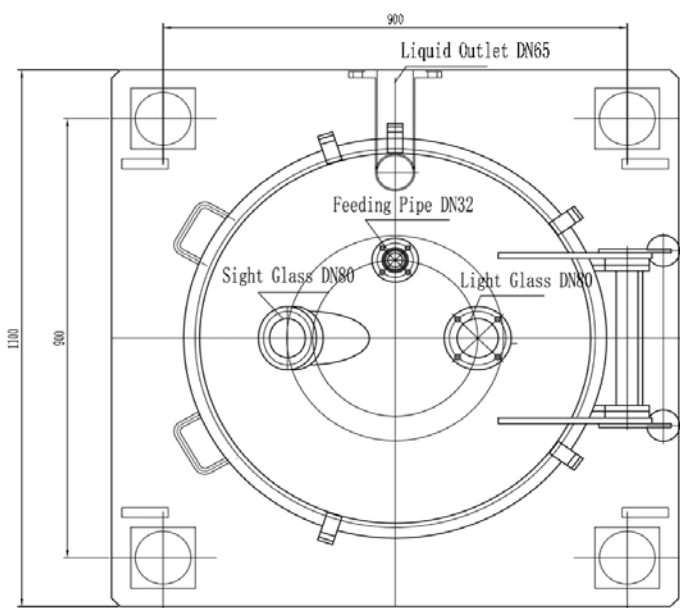
- Starch

CHEMISTRY / BIOTECHNOLOGY

- Production of vitamins
- VC natrium
- Calcium phosphate
- Saleratus
- Heavy alkai
- Polyacrylonitrile
- Pigments
- Solvents
- Algae (food, cosmetics)
- Fermentation broths (industrial biotechnology)

FATS / OILS / BIOFUELS

- Fish oil
- Animal fats
- Olive oil
- Avocado oil
- Palm oil
- Coconut oil





FSS Series Filter Centrifuge

In Filtering centrifuge, the solids & liquids are separated by centrifugal force using a filter media (usually a cloth) mounted over supporting mesh, which are together supported inside the rotating basket. The slurry to be filtered is fed through the feed nozzles to the basket and due to centrifugal force the liquid is forced out through the filter media while solids are retained within the filter media inside the bowl. These solids then separated or discharged by various discharging methods namely - manually, bag lifting basket, through scrapper, operated manually pneumatically/hydraulically, for which different models are available.



FSS Filter Type

FCS Series Sedimentation Centrifuge

This centrifuge is also suitable for washing large particle material, i.e. Traditional Chinese medicinal materials, at this time, do not need to put the filter bag or assemble a big pore size filter bag which determined by the material particle. All the parts contact with material is made by SUS304 stainless which can fully fit the food grade processing requirement. The inner bowl can be used the filter bag with 400-500 mesh and the material of the filter bag can be customize by client selection.



FCS Sedimentation Type





Filtering Centrifuge Machine Standard Design

The machine has a vertical/horizontal drive shaft, model available in both direct and belt driven arrangements of motor.

The FCS & FSS centrifuge consist motor, shell, bowl parts, upper cover with sight glasses, feeding pipe. The material feed into the bowl through feeding pipe, whole separation process will accomplish inside the bowl. The upper cover is controlled by hydraulic operating system. The electric motor is of the variable frequency drive type or of controlled-torque type.

Basic Equipment

Sedimental or filter bowl parts, feeding and outlet pipe, illuminated sight glass for view of separation situation, flange motor.

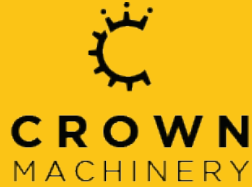
Material Data

Bowl body, upper cover and locker S.S304 Frame bottom parts casting iron Feeding and outlet pipe S.S304

Model and Technical Parameter FSS and FCS Series

Model \ Parameter	300	450	600	800	1000	1250
Bowl Dia. (mm)	300	450	600	800	1000	1250
Bowl Volume (L)	8	24	45	100	150	280
Max.Loading (kg)	10	30	100	142	200	400
Separation Factor	1390	1008	700	1008	806	567
Rotation Speed (r/min)	2880	2000	1420	1500	1200	900
Weight (kgs)	350	490	610	3000	4000	5000
Power (kw)	1.1	2.2	3.0	7.5-11	11-15	18





2 0 1 7 C A T A L O G U E

PHILIPPINES

Suite 310 Intramuros Corporate Plaza, Recoletos St., Intramuros, Manila Philippines

Tel: +63 2 2549729

CHINA

No.13093-06-02 Victory Community, Baita District Liaoyang, China

Tel: +86 419 2883215

KOREA

2FL, Hanil bldg, #527-1 Hagi-Dong, Yuseong-Gu, Daejeon, 305-358, Korea

Tel: +82-42-825-4260

AMERICA

6900 46th Street Kenosha,WI 53144,America

Tel:1-262-656-7680

AUSTRALIA

Boundary Road,Laverton North, VIC, Australia.

TEL:+61 0408 836 697

PAKISTAN

Suite# 311, 3rd Floor, Anum Trade Center, Near Ghani Chowrangj, Site Karachi,Pakistan.

TEL:+021 3257 2200

Iran

No.5, 1st floor, Bldg.32, Shahid Hosseini St., Karimkhan Av., Tehran Iran

Tel: +98-21-88321070/4